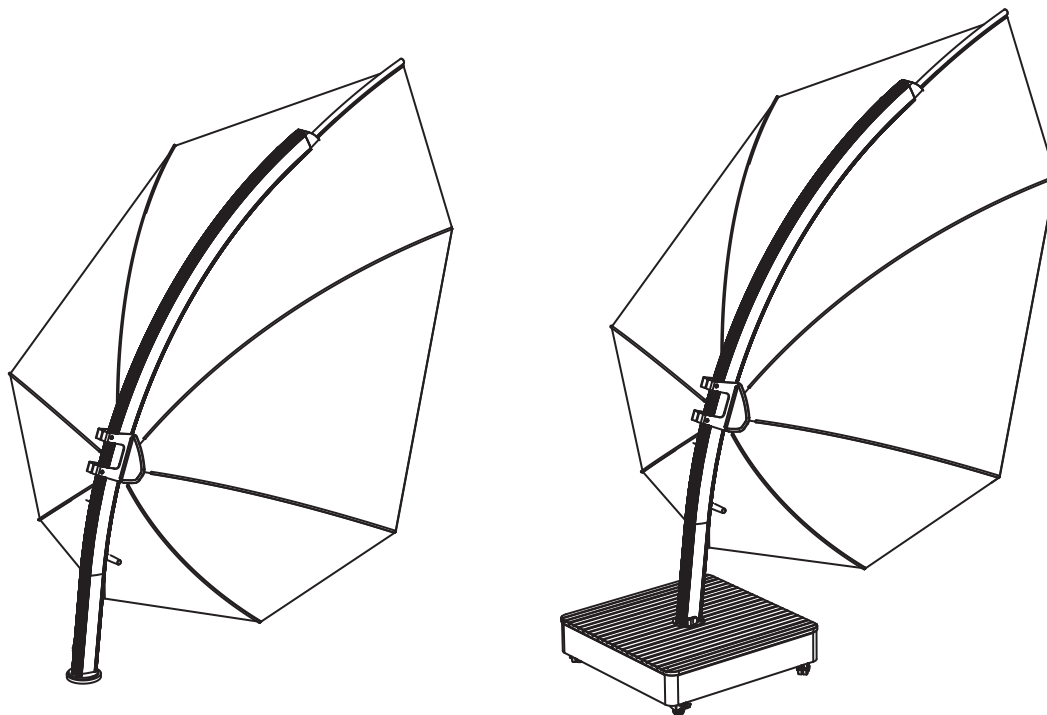



# UMBROSA

UNIQUE SHADE DESIGN



## ICARUS / ICARUS UX

 UMBROSA.COM



## UMBROSA.COM

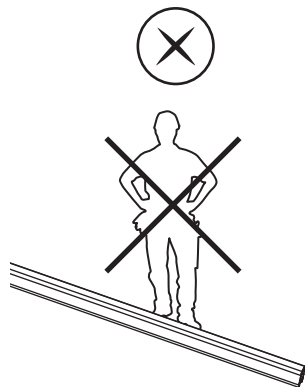
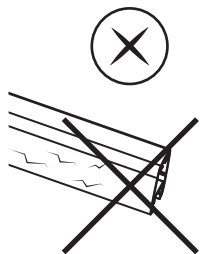
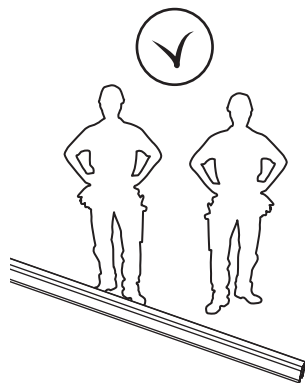
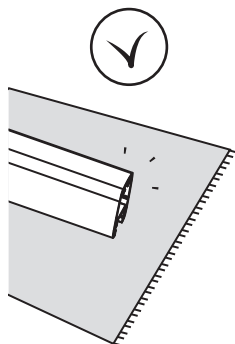
- ENG** Congratulations with your purchase! Please completely read and follow all the instructions.
- NL** Proficiat met uw aankoop! Gelieve alle instructies te lezen en op te volgen.
- FR** Félicitations avec votre achat. Lisez svp les instructions complètes.
- DE** Herzlichen Glückwunsch zu Ihrem Kauf! Bitte vollständig lesen und befolgen Sie alle Anweisungen.
- ES** Felicidades con su compra! Por favor lea y siga todas las instrucciones.
- IT** Congratulazioni con il Vs. acquisto! Vi preghiamo di leggere bene le istruzioni e di seguirne scrupolosamente le indicazioni.

### **IMPORTANT:**

Please read this entire manual before installing or operating your umbrella, to reduce risk of personal injury in which a person is injured or harmed, and/or damage to personal property. Prior to assembly it is important to decide on the location of the umbrella and to respect the following instructions:

- Choose a location that is level and sturdy.
- Avoid any sloping of soft ground.
- Consider a location that will maximize the umbrella's 360° rotating function (if available)
- Two-person team is recommended for assembly

# BEFORE YOU START



## SAFETY STATEMENTS & WARNINGS



- Product is suitable for light wind and/or light rain only.
- Position product in direction of wind as recommended in user manual.
- Do not use product in inclement weather, such as strong wind, thunderstorms, heavy rain or snow, and make sure that the umbrella is closed and stored in advance.
- Never allow the umbrella to flap in the wind. This could cause personal injury, damage to personal property, damage to umbrella and/or umbrella canopy.
- Close product and secure strap when not in use.
- Do not use product without its base or unless attached to building structure, and keep umbrella secured to umbrella base or mount at all times.
- Do not use product over or near harsh chemicals or open flames.
- Place product on stable and level surface.
- Do not allow children to assemble or operate product.
- Do not leave product unattended.
- Store product indoors during winter and extreme weather conditions.
- When adjusting or assembling the umbrella or umbrella base, make sure fingers, toes or any other parts of the body are clear from moving parts. Failing to do so may result in serious injury.
- Only use Umbrosa replacement parts.
- Read owner's manual.
- Any modifications to the product or failure to follow recommended care will void the warranty.
- Wind damage is not covered under our limited warranty.

### DISCLAIMER:

All mounting kits and supports for inground fitting and installation on hard surfaces should only be installed by a licensed contractor duly qualified to perform the installation. Umbrosa assumes no liabilities and expressly disclaims any responsibilities for injuries or damages arising from or related to the failure of buyer to have any kit or fitting installed by a licensed professional contractor.

# INDEX

## BASE AND MOUNTING OPTIONS



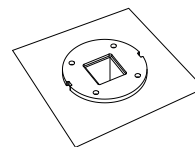
LARGE TILE BASE UX

p7



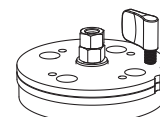
LARGE TILE BASE UX  
WITH WOODEN TOPPLATE

p15



CONCRETE ANCHOR

p22



GROUND MOUNTING

p27

---

## ICARUS



INSTALLATION

p29



USER INSTRUCTIONS

p37



TIPS AND MAINTENANCE

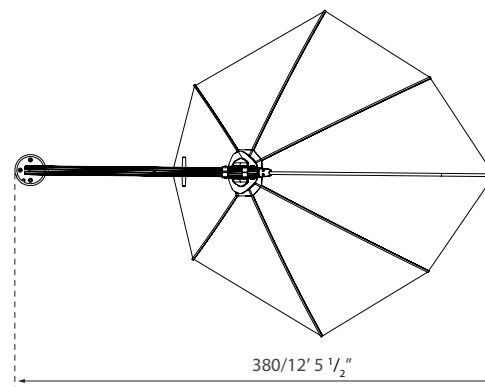
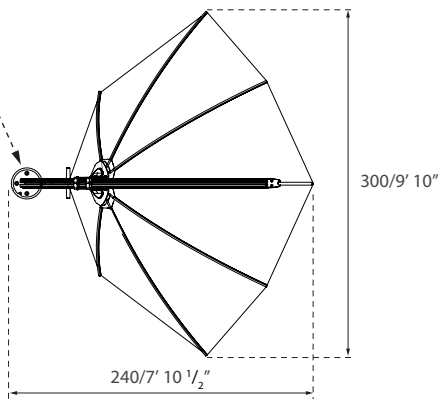
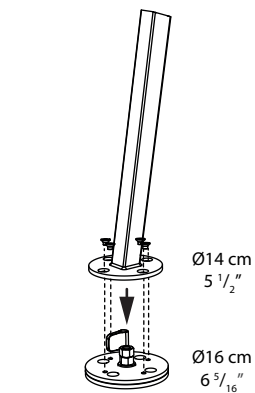
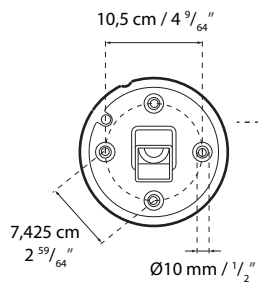
p40



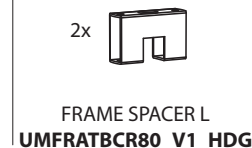
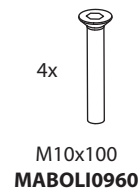
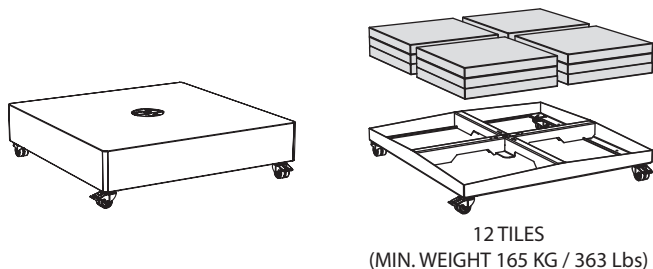
WARRANTY AND  
SPARE PARTS

p43

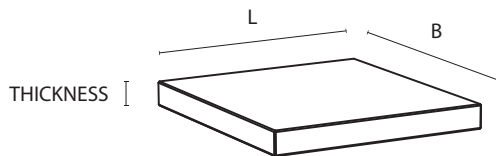
## INSTALLATION DIMENSIONS



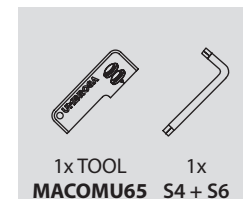
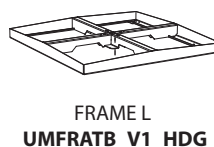
# LARGE TILE BASE INSTALLATION



## BASE TILE DIMENSIONS



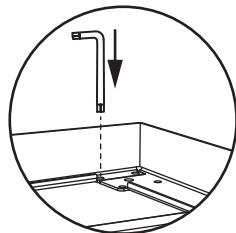
	MINIMUM	MAXIMUM
<b>LxB</b>	38 x 38 cm 15" x 15"	40 x 40 cm 16" x 16"
<b>THICKNESS</b>	38 mm 1 1/2"	45 mm 1 3/4"



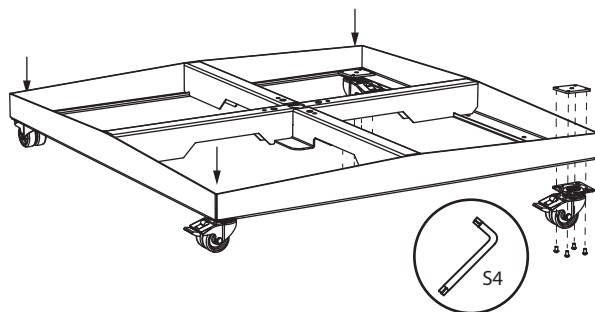
## TILE BASE INSTALLATION



1

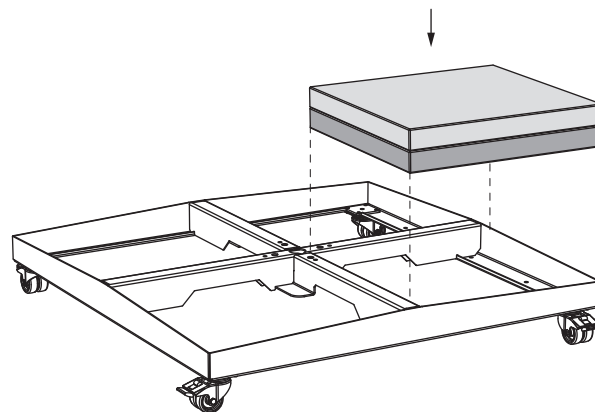


PUNCH GALVANISATION LAYER  
IN HOLES IF NECESSARY



2

MEDIUM BASE: START WITH 1 LAYER  
LARGE BASE: START WITH 2 LAYERS

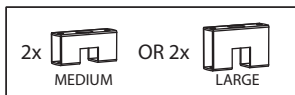




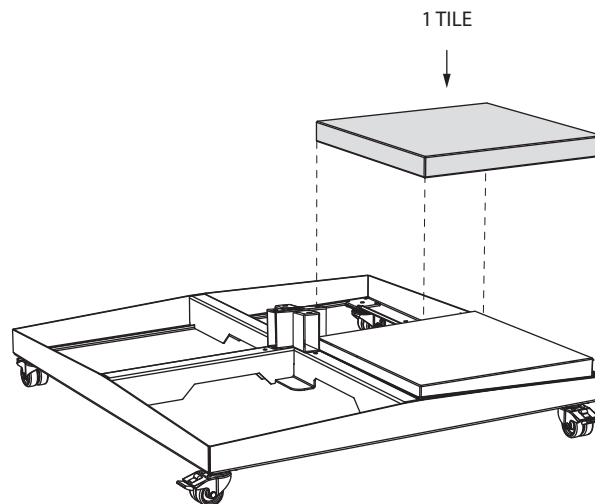
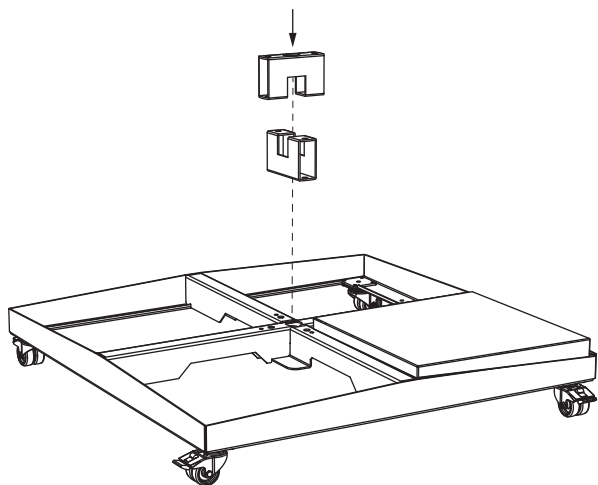
## TILE BASE INSTALLATION



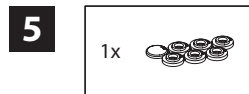
3



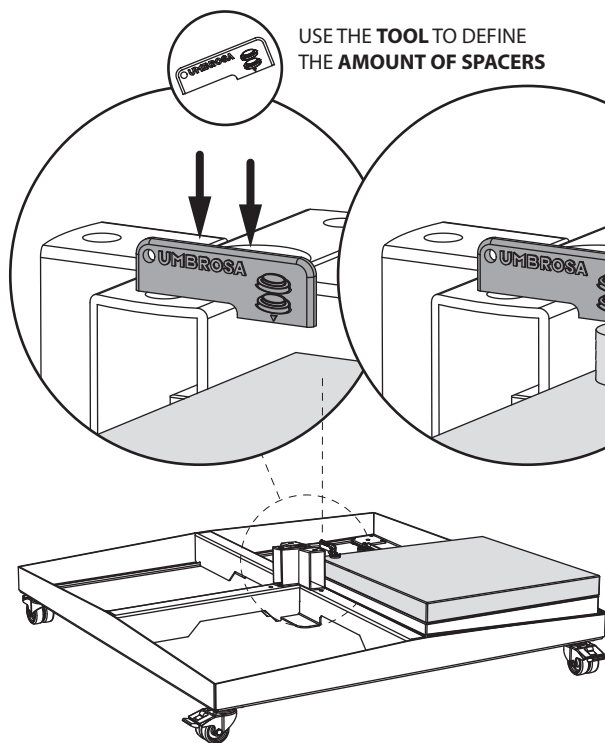
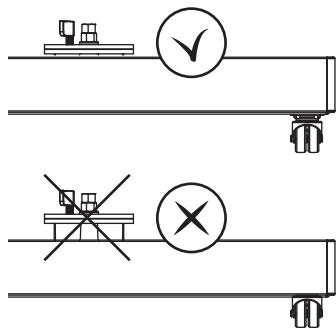
4



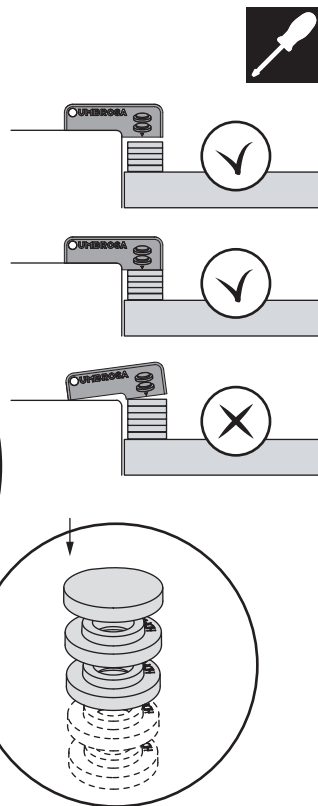
## TILE BASE INSTALLATION



ADD **SPACERS** FOR PERFECT COVER ALIGNMENT:



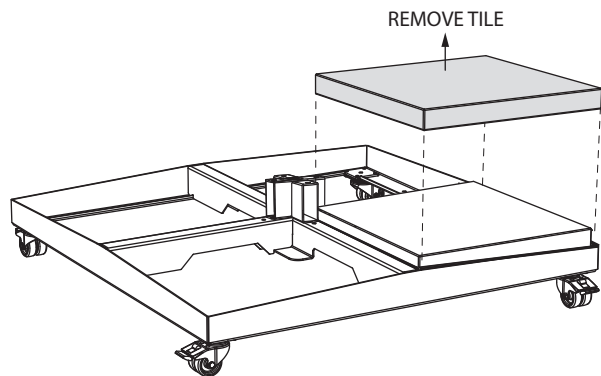
USE THE **TOOL** TO DEFINE THE **AMOUNT OF SPACERS**



## TILE BASE INSTALLATION

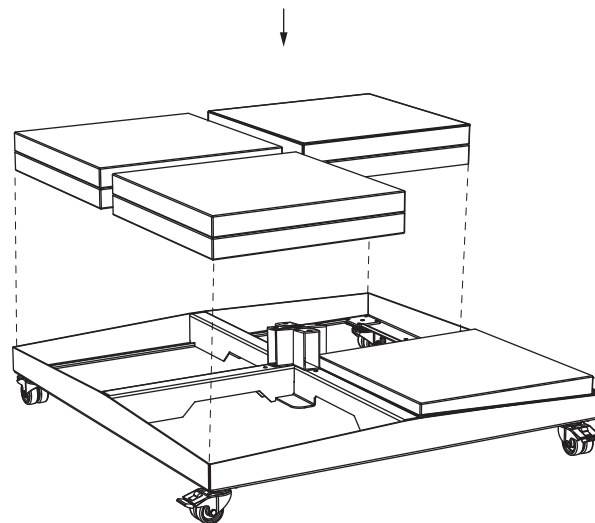


6



7

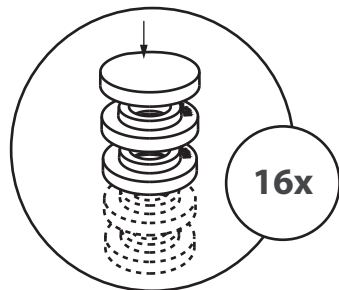
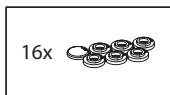
MEDIUM BASE: 1 LAYER  
LARGE BASE: 2 LAYERS



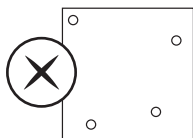
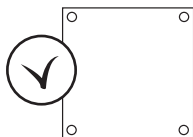
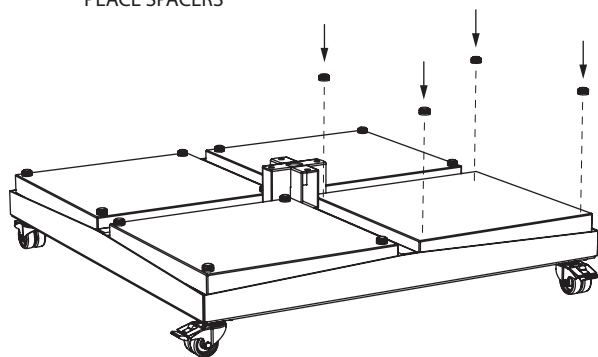
## TILE BASE INSTALLATION



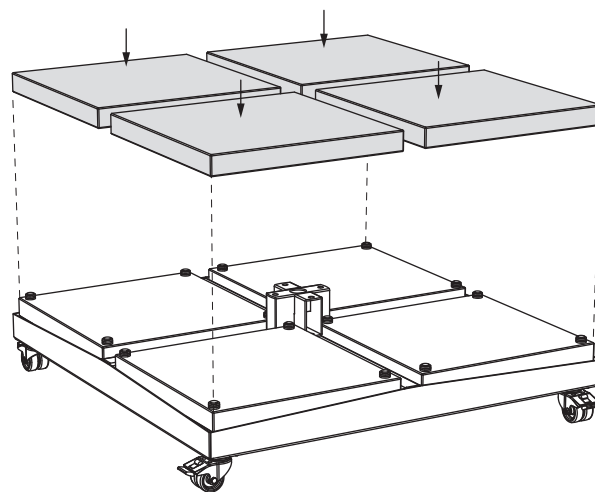
8



PLACE SPACERS

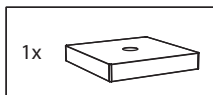


9

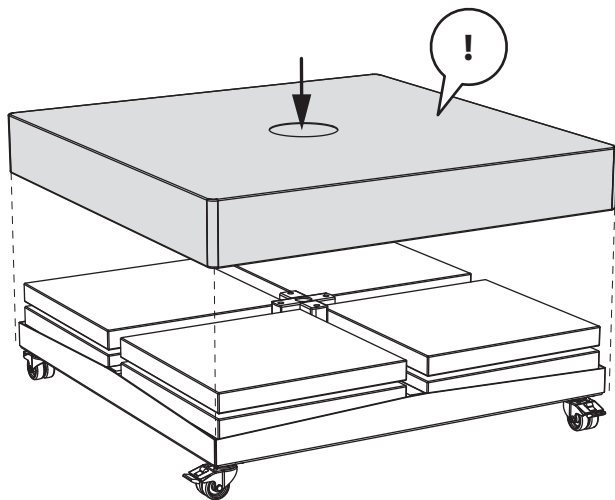


## TILE BASE INSTALLATION

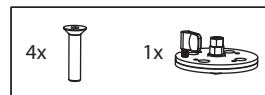
10



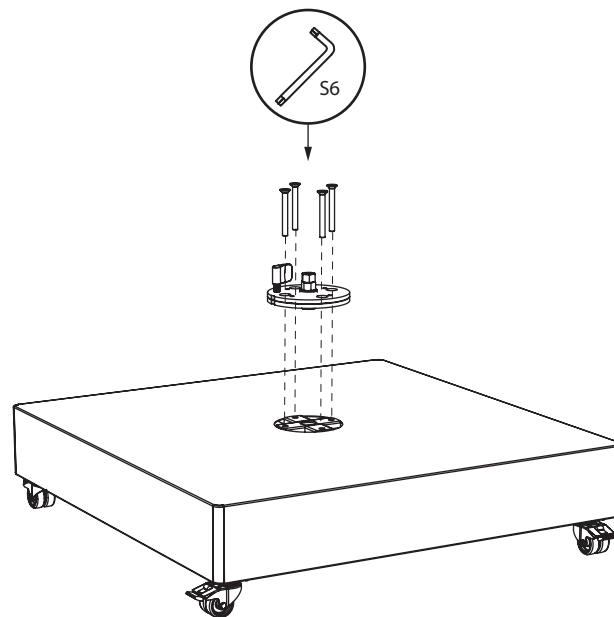
**FRAGILE SURFACE  
KEEP PROTECTION FILM  
DURING INSTALLATION**



11

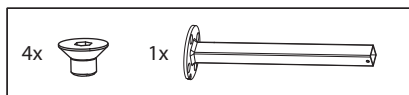


SEE UMBRELLA BOX

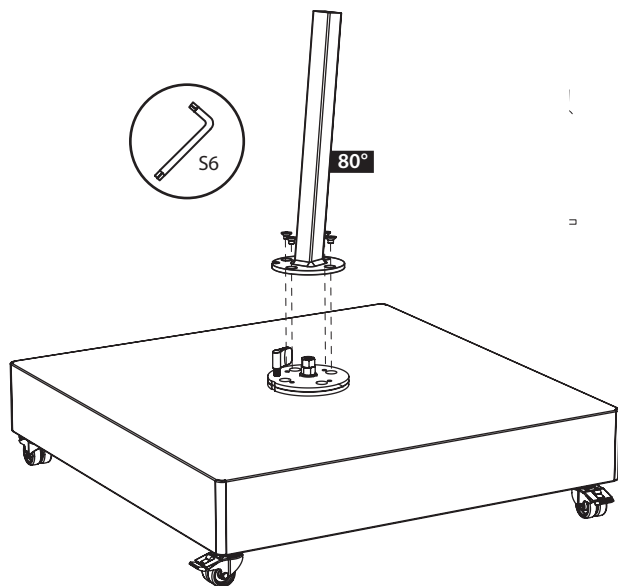


## TILE BASE INSTALLATION

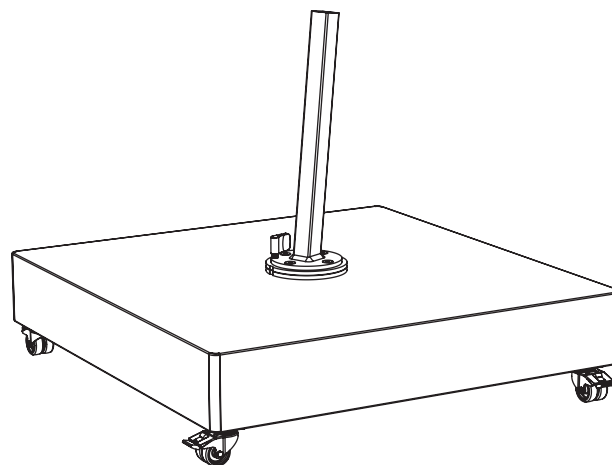
12



SEE UMBRELLA BOX



13



# LARGE TILE BASE UX WITH WOODEN TOPPLATE INSTALLATION

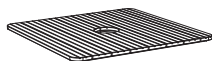


Our UX wooden covers are made of thermotreated poplar wood that has not been treated for color stability.

The wood will weather with outdoor exposure and turn grey.



S4 + S6



WOOD TOP  
WOODBASETOP  
PLATEUX



UX FRAME SAND  
LIMEBASEFRAMEUX



SUPPORT SPACERS  
MAPLAF016G

## UX BASE



4x  
WHEEL  
MACOMU005D



4x  
WHEEL PLATE  
MABASMOB03



16x  
M6  
MABOLI0200



4x  
NUT PLATE M6  
UMFIXG0021\_V1

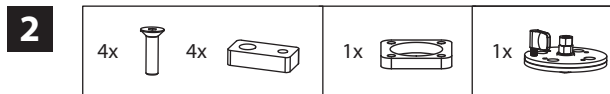
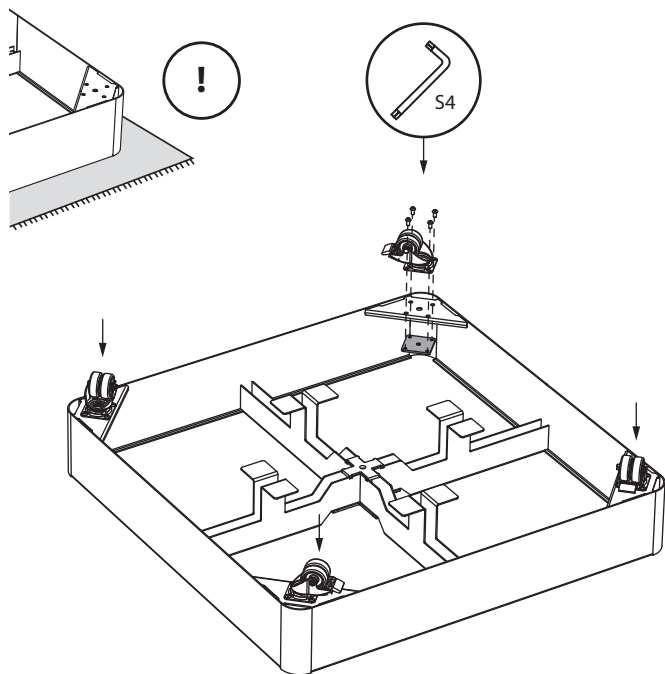
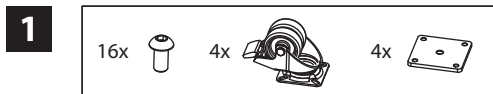


4x  
BOLT M6x20  
MABOLI0560

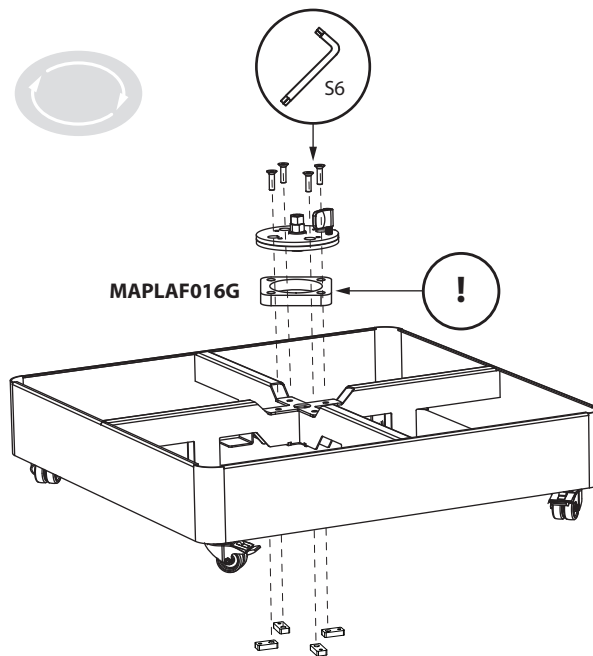


4x  
M 10x25  
MABOLIG0980

## LARGETILE BASE UX WITH WOODEN TOPPLATE INSTALLATION



SEE UMBRELLA BOX





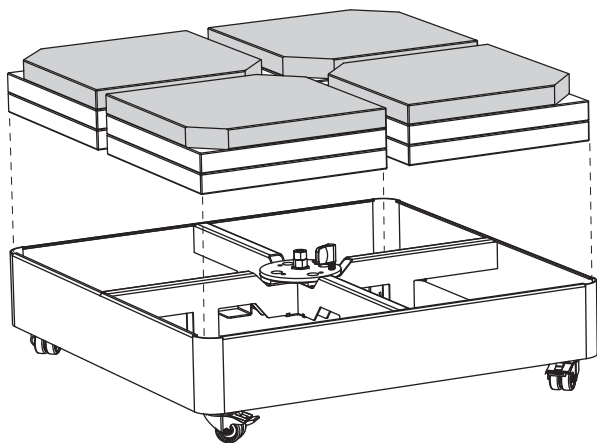
## LARGETILE BASE UX WITH WOODEN TOPPLATE INSTALLATION



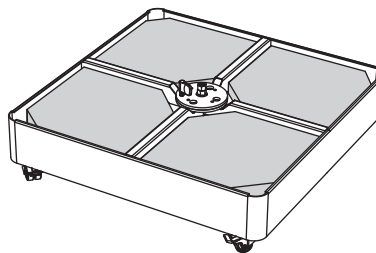
3

### BASE TILE DIMENSIONS

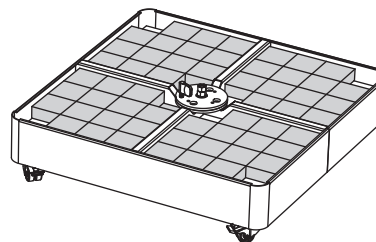
	MINIMUM	MAXIMUM
TILE SIZE	38 x 38 cm	40 x 40 cm
	15" x 15"	16" x 16"
TILE THICKNESS	38 mm	45 mm
	1 1/2"	1 3/4"



### TOP LAYER TILE OPTIONS



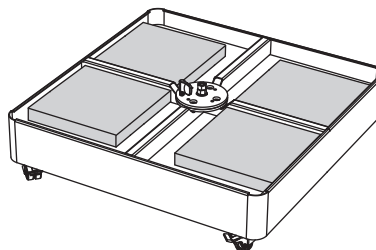
CONCRETE TILE  
WITH CORNER CUT\*



SMALL CONCRETE  
TILES

example:

10x10 cm / 0.4"x0.4"  
max. thickness = 4 cm / 1.75"



SMALLER CONCRETE  
TILE

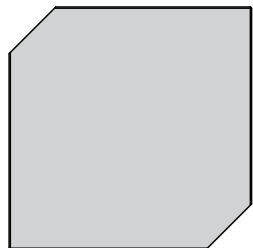
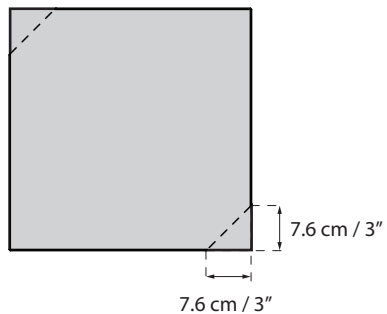
example:

30x30 cm / 12"x12"  
max. thickness = 4 cm / 1.75"

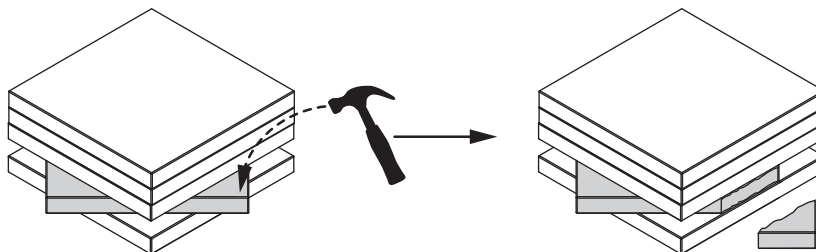
# LARGETILE BASE UX WITH WOODEN TOPPLATE INSTALLATION



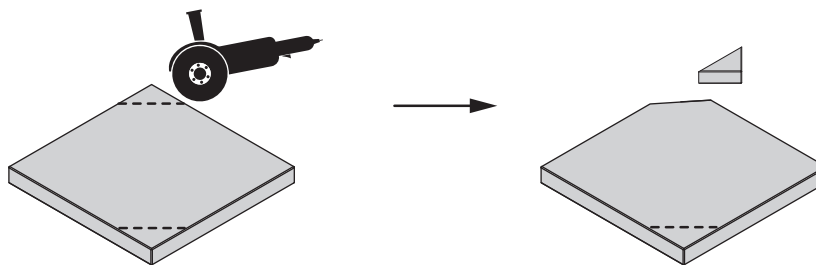
## \*CORNER CUT TUTORIAL



## OPTION 1: BREAK CORNER



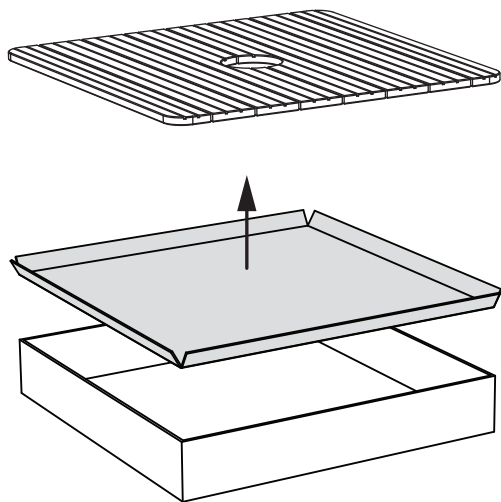
## OPTION 2: CUT CORNER



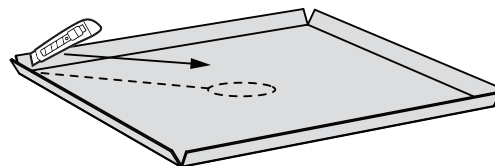
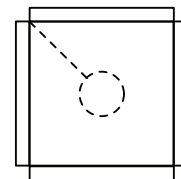
## LARGE TILE BASE UX WITH WOODEN TOPPLATE INSTALLATION



4



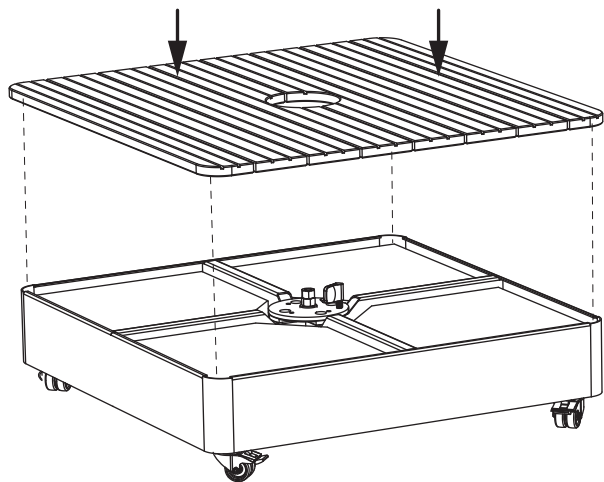
5



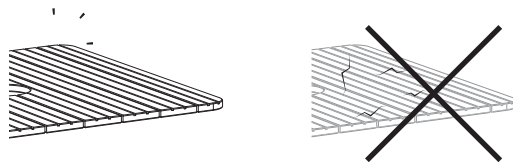
## LARGETILE BASE UX WITH WOODEN TOPPLATE INSTALLATION



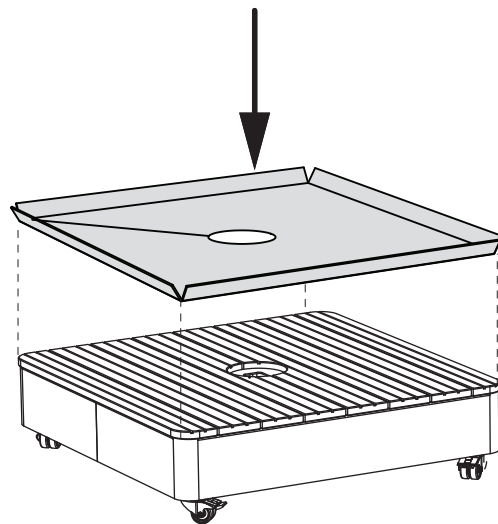
6



7

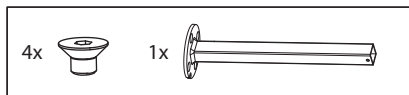


USE PACKAGING TO  
PROTECT TOP PLATE



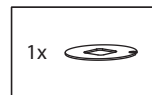
## LARGETILE BASE UX WITH WOODEN TOPPLATE INSTALLATION

8

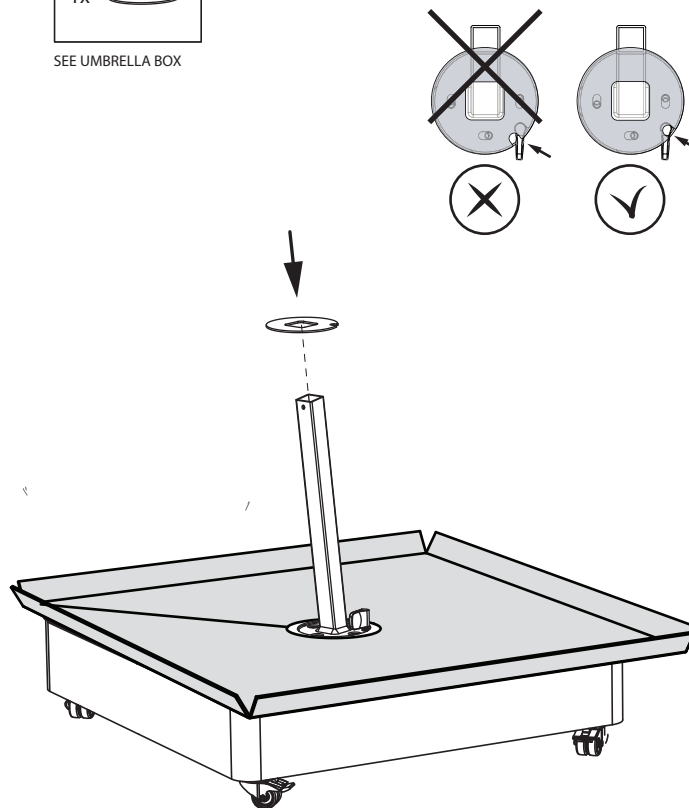
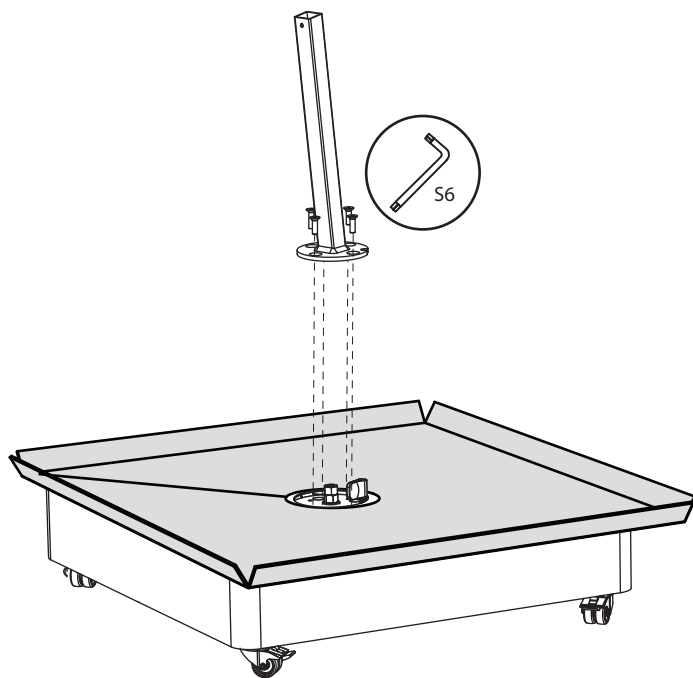


SEE UMBRELLA BOX

9



SEE UMBRELLA BOX

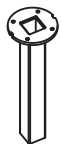
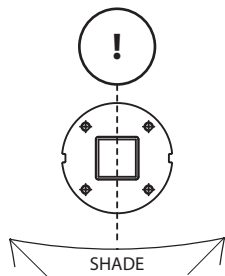
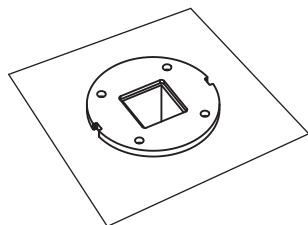


# CONCRETE ANCHOR INSTALLATION

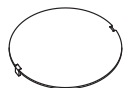
## INGROUNDANCHORTYPE1



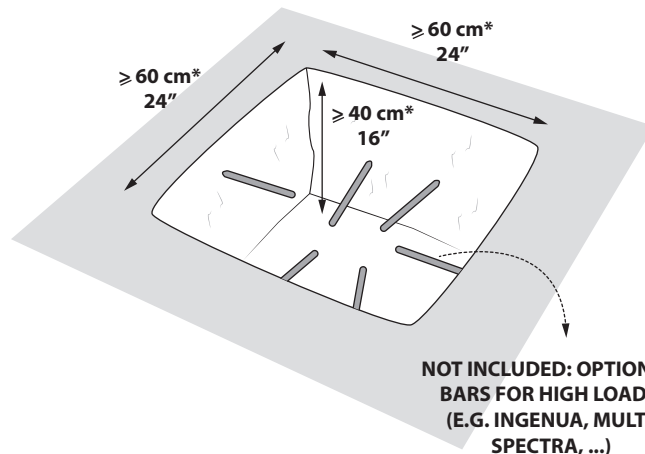
1



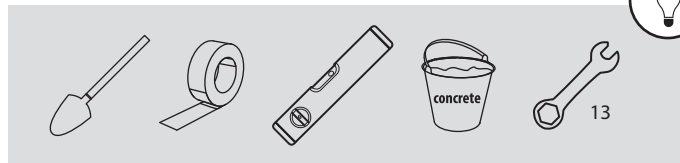
INGROUNDANCHOR  
TYPE1



MAPLAICROT CAP 20



- ENG** Dimensions are indicative. Final responsibility always lies with the installer.  
**NL** Maten zijn informatief. Eindverantwoordelijkheid ligt bij installateur.  
**FR** Les dimensions indiquées sont seulement à titre informatif. La responsabilité finale incombe à l'installateur.  
**DE** Die Maße sind nur informativ. Der Installateur trägt die Verantwortung für die Ausführung.  
**ES** Los tamaños son solamente informativos. El instalador es responsable del acabado final.  
**IT** Dimensioni sono indicative. La responsabilità finale spetta sempre all'installatore.

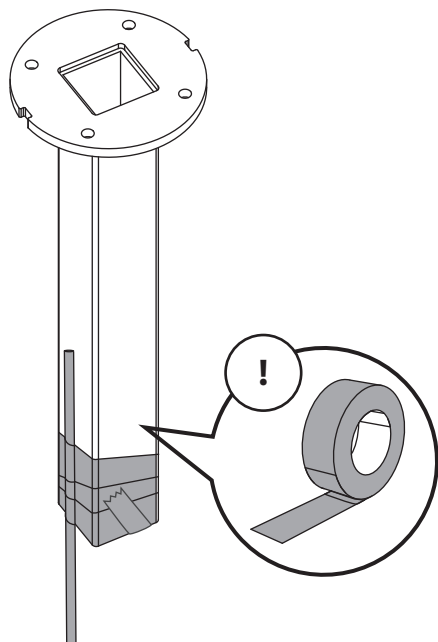


13

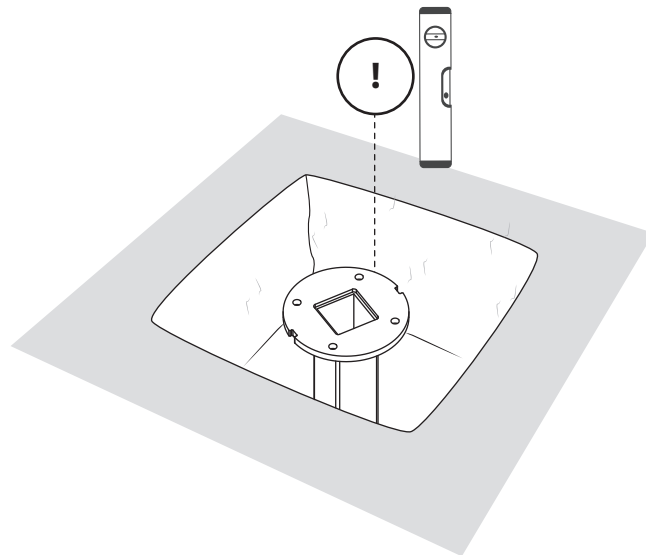
## CONCRETE ANCHOR INSTALLATION



2



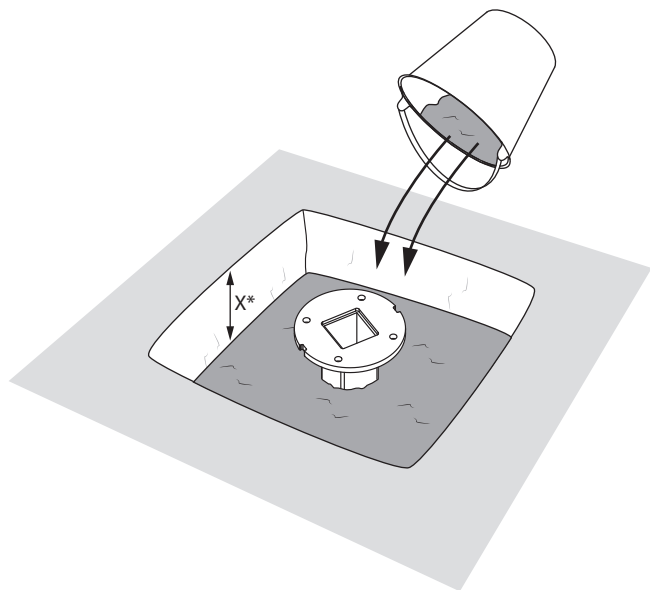
3



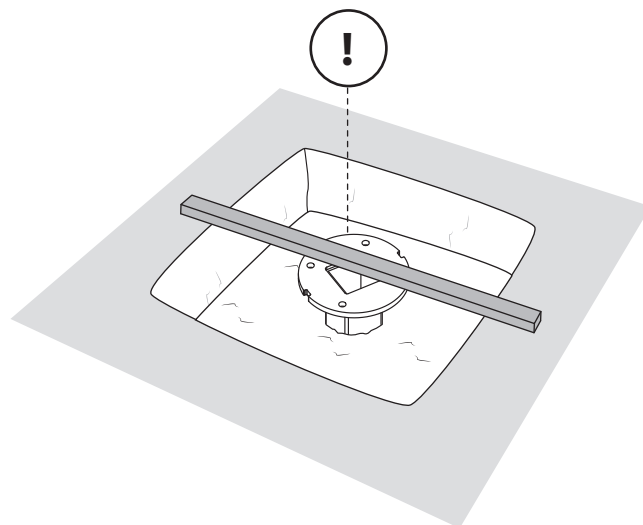
## CONCRETE ANCHOR INSTALLATION







4



5



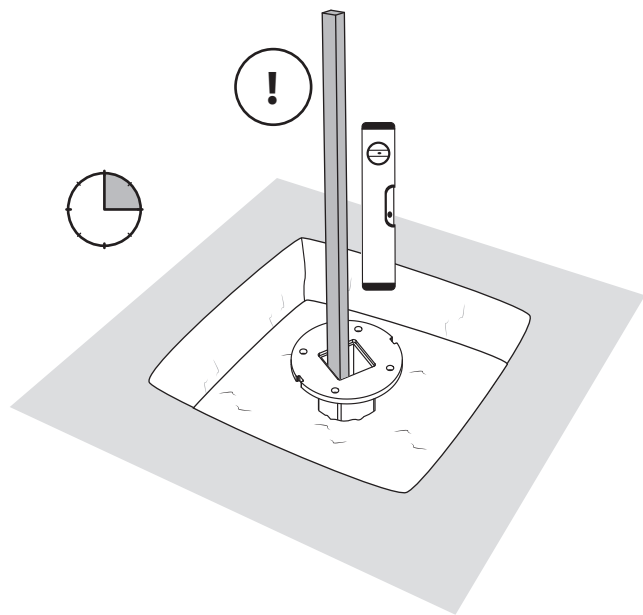
	 GRASS	 GRAVEL	 H TILES
 X*	10 cm / 4"	4 cm / 1 1/2"	= H



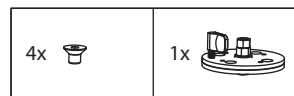
## CONCRETE ANCHOR INSTALLATION



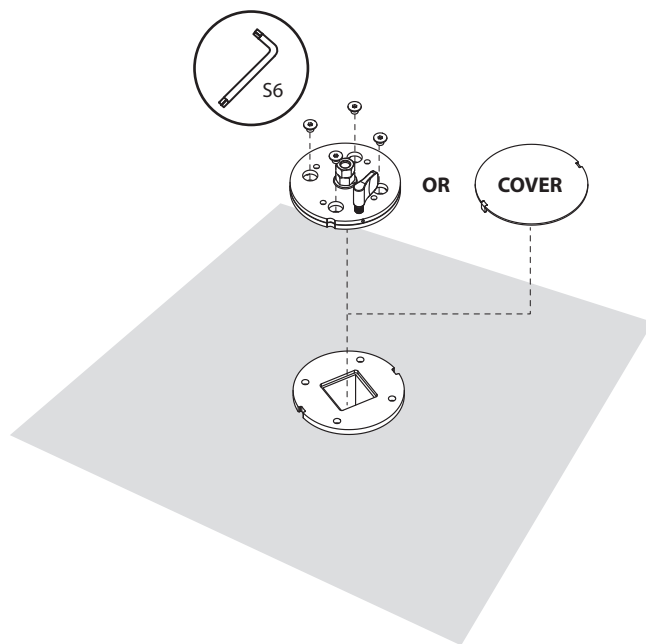
6



7



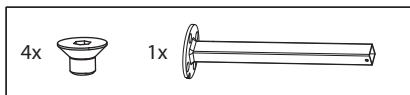
SEE UMBRELLA BOX



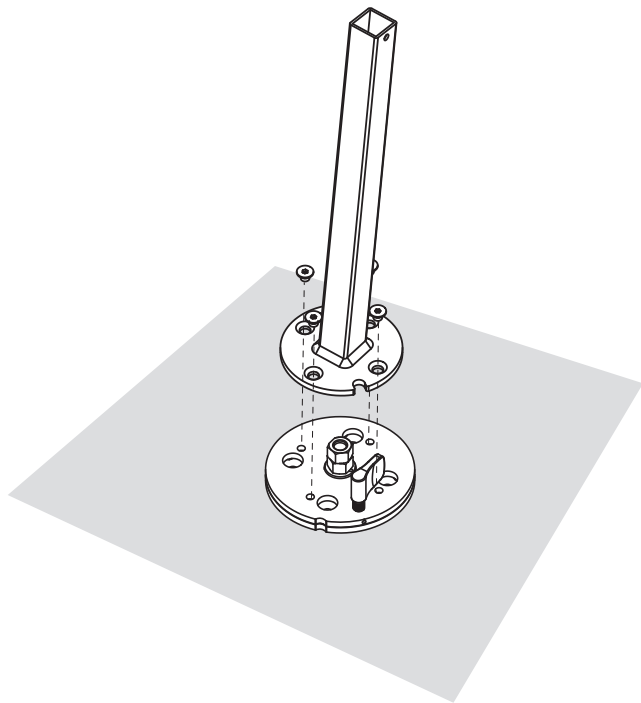
## CONCRETE ANCHOR INSTALLATION



**8**

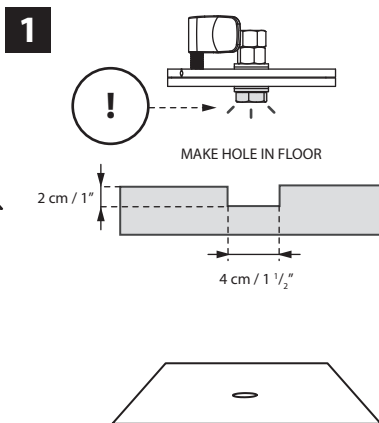
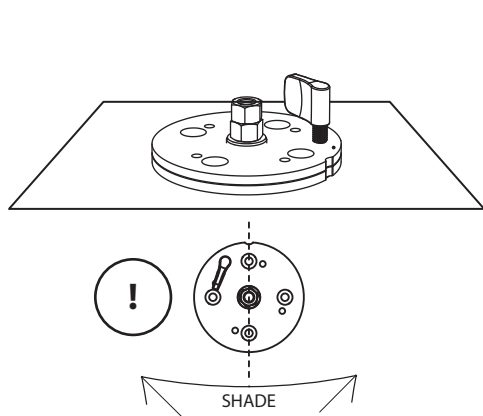


SEE UMBRELLA BOX

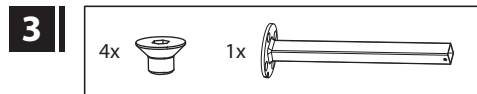
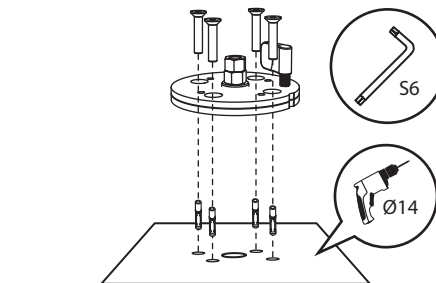


# GROUND MOUNTING

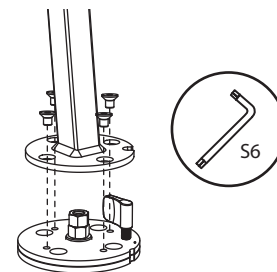
## A. STANDARD OPTION



SEE UMBRELLA BOX



SEE UMBRELLA BOX

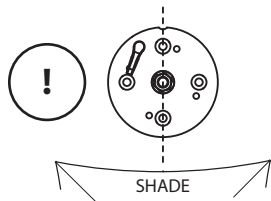
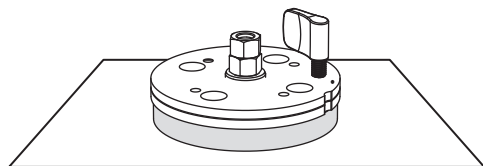


Not included - Niet inbegrepen - Pas inclus  
Nicht inbegriffen - No incluido - Non incluso

<p>CONCRETE</p>	<p>WOOD</p>	<p>METAL</p>
<p>example: DIN 7991 M10</p>	<p>example: DIN 7997 Ø8 mm</p>	<p>example: DIN 7991 M10</p>

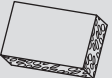


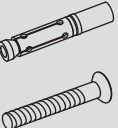
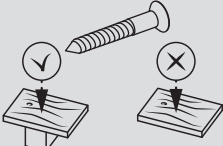
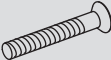
# GROUND MOUNTING

## B. OPTIONAL: WITH SPACER PLATE



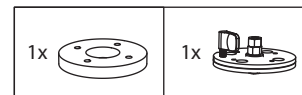
MACOM001

Not included - Niet inbegrepen - Pas inclus  
Nicht inbegriffen - No incluido - Non incluso

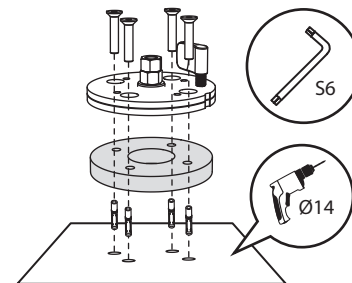
 CONCRETE	 WOOD	 METAL
		
example: DIN 7991 M10	example: DIN 7997 Ø8 mm	example: DIN 7991 M10



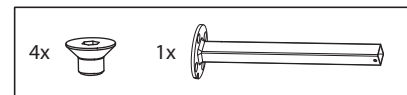
1



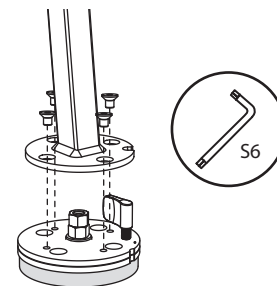
SEE UMBRELLA BOX



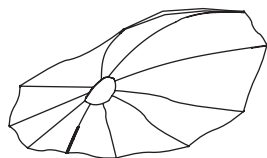
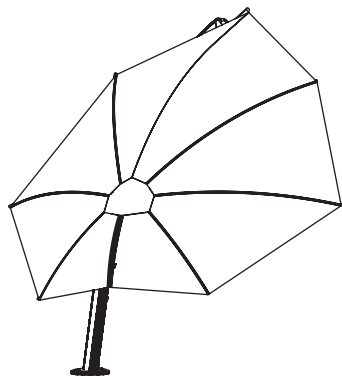
2



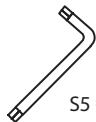
SEE UMBRELLA BOX



# ICARUS UX INSTALLATION



ICARUSCOVER2N-SAND

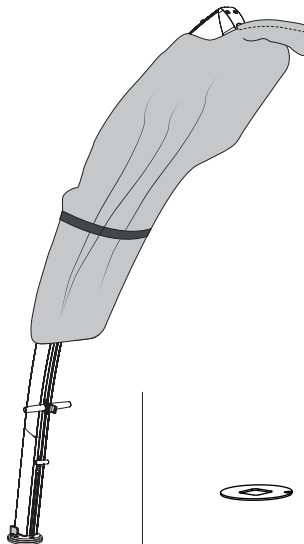


S5 + S6

MAKEY00050  
MAKEY00060



MACOME2022



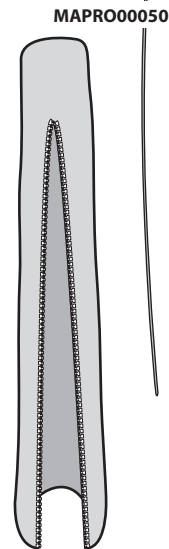
MAPLAAU140



UMROTATIONDISC160



UMFIXS140G80



ICPROTECTION-UX



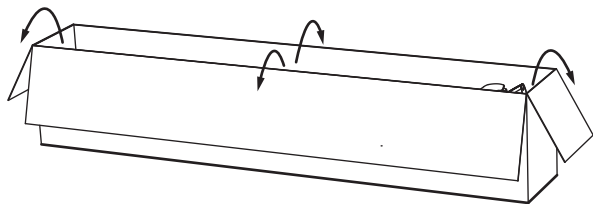
STRAPUNIVERSAL

## ICARUS INSTALLATION

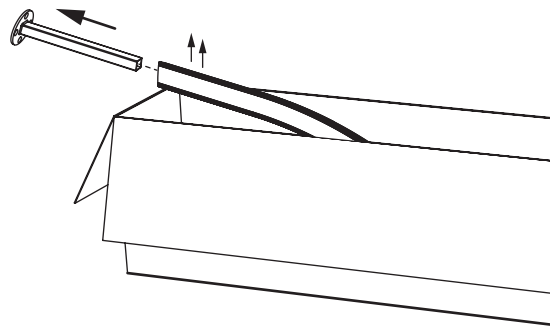
1



UMBROSA.COM



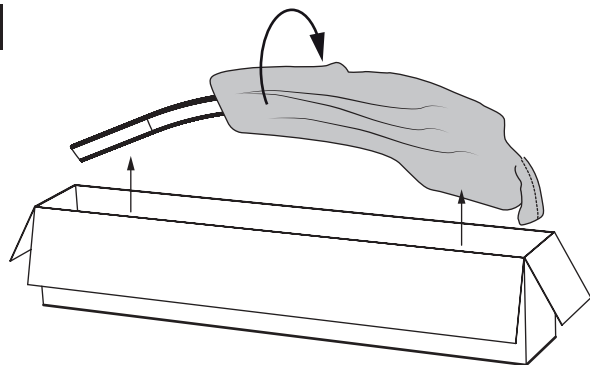
2



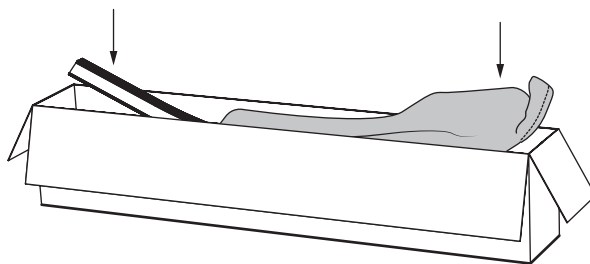
## ICARUS INSTALLATION



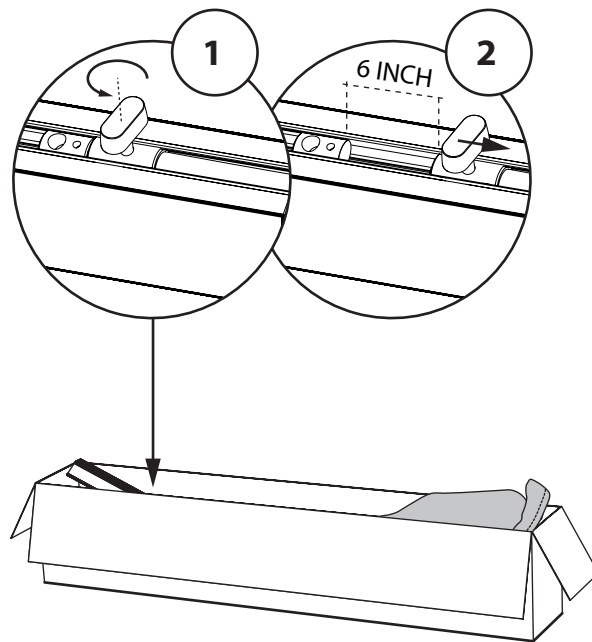
**3**



**4**



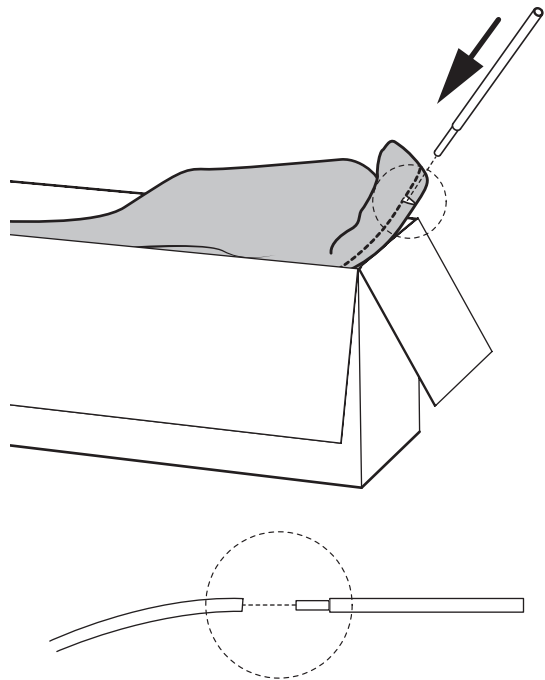
**5**



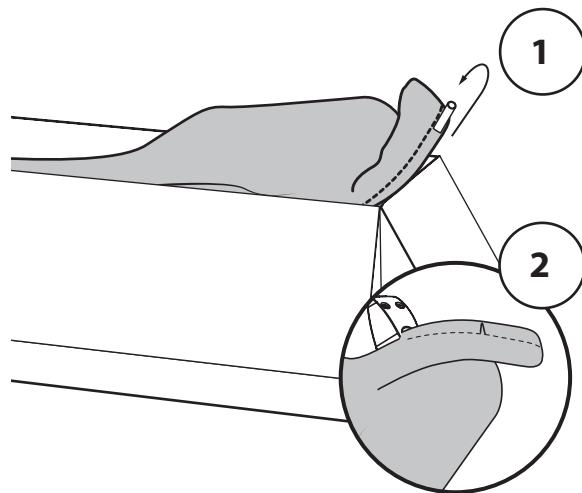
# ICARUS INSTALLATION



6



7

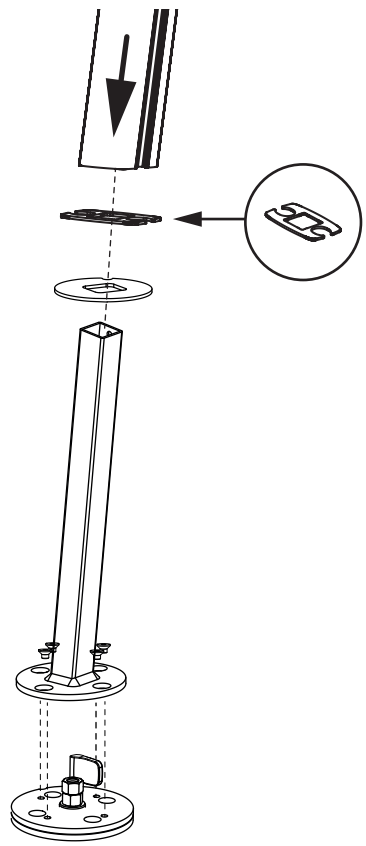




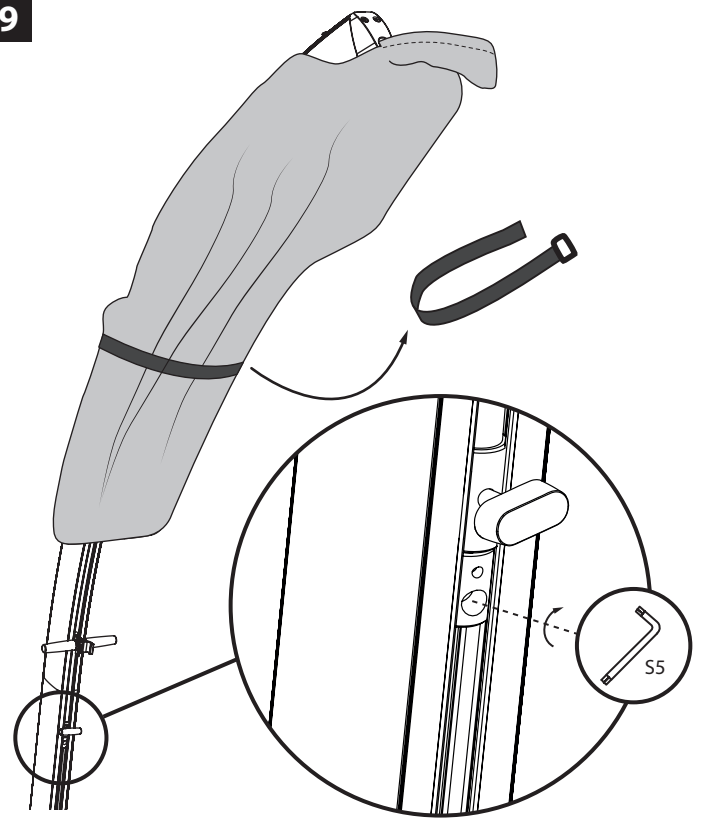
# ICARUS INSTALLATION



8

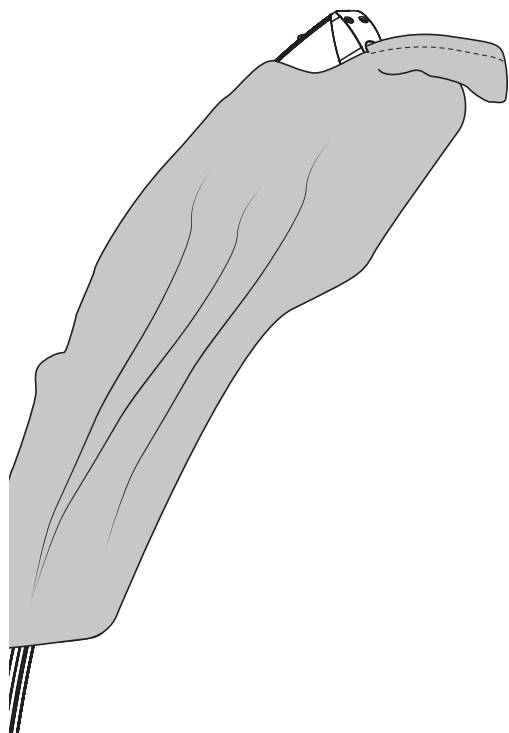


9

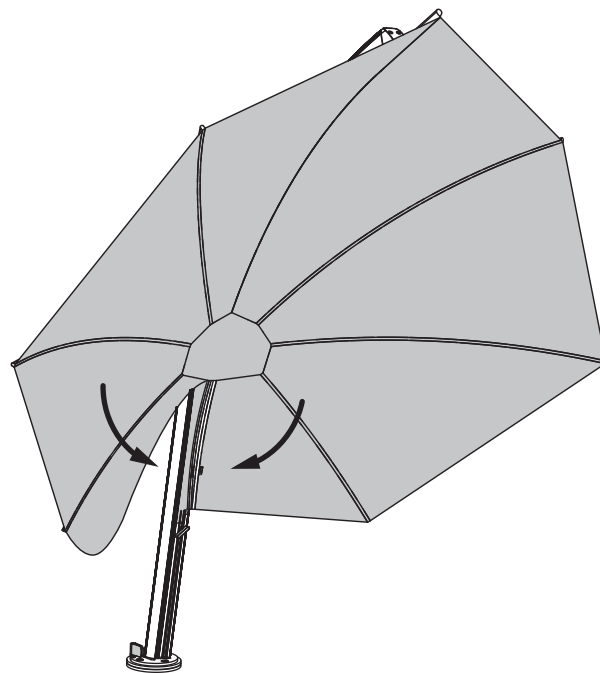


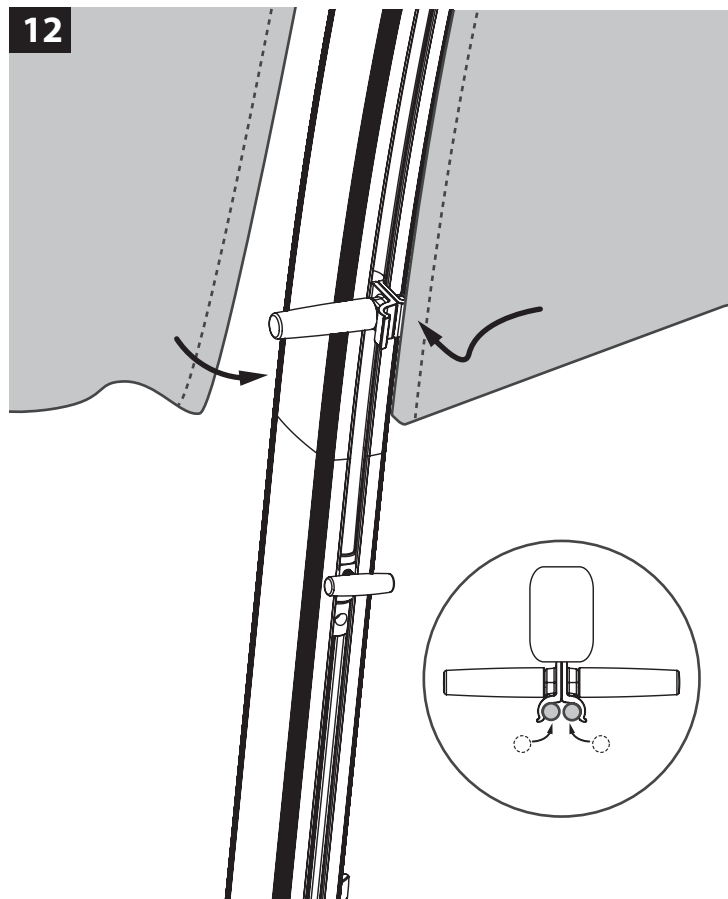


10



11







- ENG** We strive for a perfect cover tension with our Icarus. The first time, you'll have to use more power to close the cover. From the second use, the cover will be formed and it will close more easily.
- NL** Met onze Icarus streven wij naar de perfecte doekspanning. De eerste maal moet u veel kracht uitoefenen om het doek te sluiten. Vanaf het tweede gebruik zal het doek zich zetten, en zal sluiten vlot verlopen.
- FR** Nous aspirons à une tension de toile impeccable avec notre Icarus. La première fois, vous voudrez exercer plus de force afin de fermer la toile. A partir de la deuxième utilisation, la toile s'adaptera et fermera plus facilement.
- DE** Mit unserem Icarus streben wir nach einem perfekten Tuchspannung. Das erste Mal müssen Sie viel Kraft benutzen um den Tuch zu schließen. Ab dem zweiten Gebrauch wird das Tuch dehnen und wird es flotter schließen.
- ES** Con el Icarus, nos afanamos por una tensión de lonas perfecta. La primera vez tiene que usar mucha fuerza para cerrar la lona. Desde el segundo uso, la lona adaptará y cerrará muy fluidamente.
- IT** Anche per il ns. modello Icarus, ci impegniamo per ottenere una perfetta tensione del telo. La prima volta, e' normale che ci vuole più forza per aprire il telo. A partire dal secondo utilizzo, il telo avrà già preso la sua forma e sarà più facile aprire l'ombrellone.

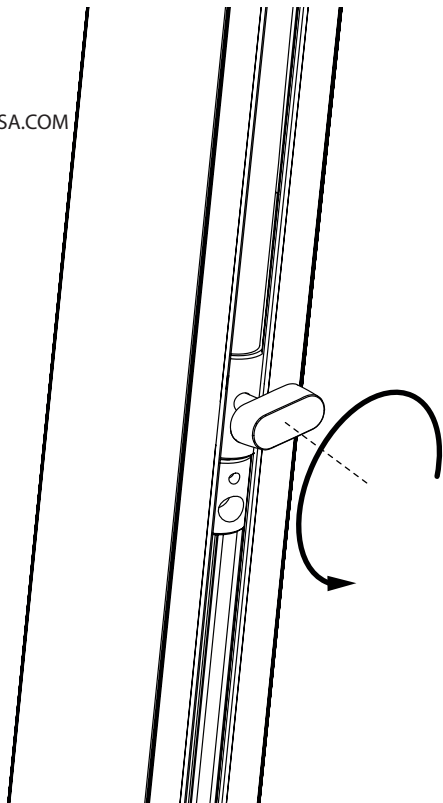
# ICARUS USER INSTRUCTIONS



1

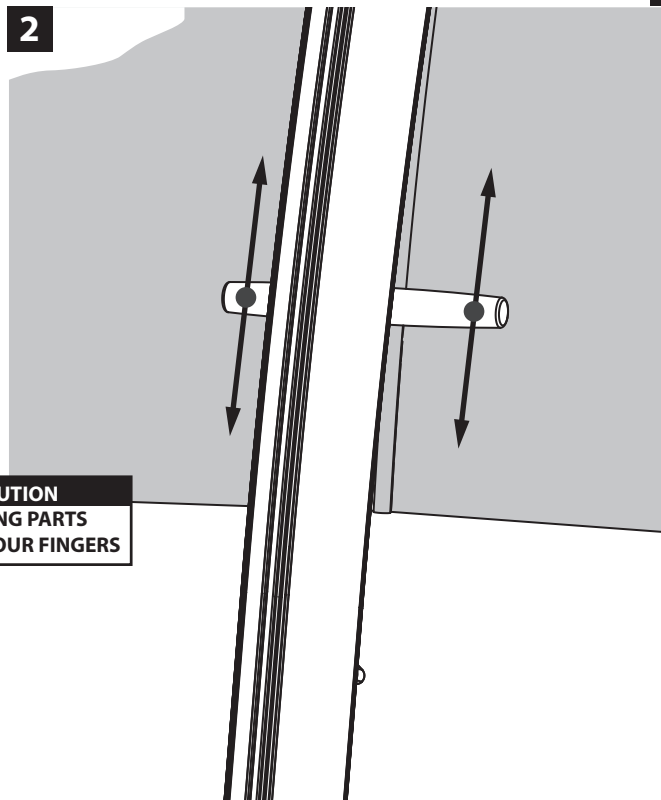


UMBROSA.COM



2

**CAUTION**  
MOVING PARTS  
WATCH YOUR FINGERS



**CAUTION:** Do not use tilt function during winds.

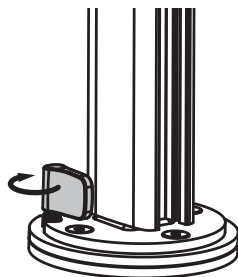
Doing so may cause damage to your umbrella. Canopy can only be closed safely when it is not tilted.

**CAUTION:** Never force the ribs.

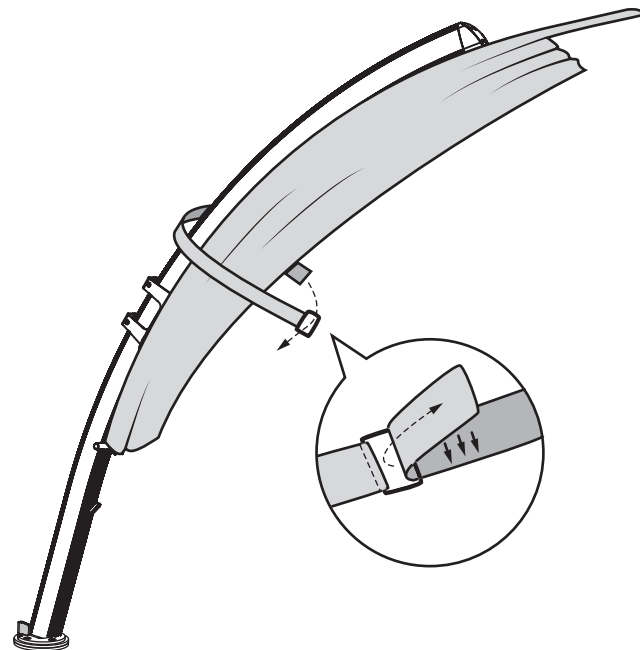
If you experience any resistance, make sure all ribs are freed manually to facilitate opening.



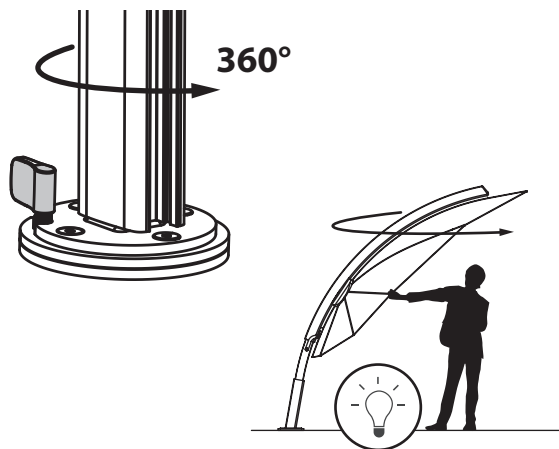
3



5



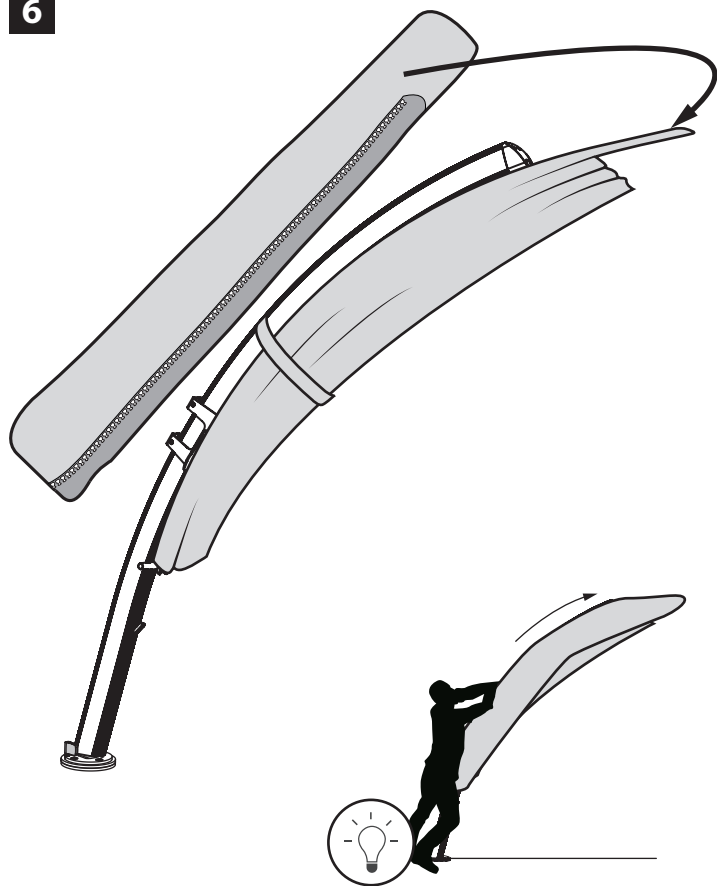
4



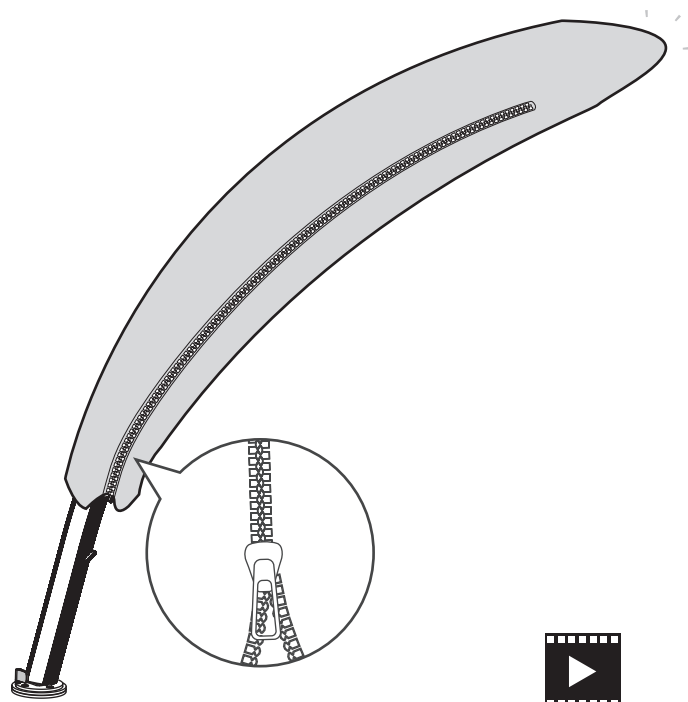
CAUTION: Do not use rotating function during winds. Doing so may cause damage to your umbrella.



6

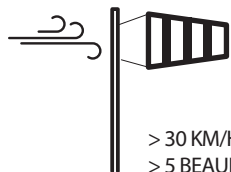


7

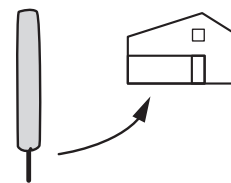
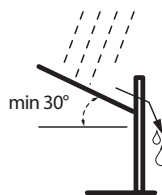
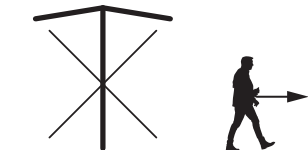


UMBROSA.COM

# TIPS

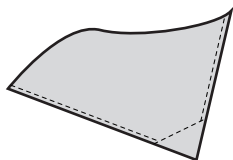


> 30 KM/H  
> 5 BEAUFORT





# MAINTENANCE



**ENG** [Maintenance instructions on website](#)  
**NL** [Onderhoudsinstructies op webpagina](#)  
**FR** [Nettoyage et guide d'entretien sur le site web](#)  
**DE** [Pfleghanweise auf der Webseite](#)  
**ES** [Instrucciones de mantenimiento en el sitio web](#)  
**IT** [Istruzioni di mantenimento sul sito](#)



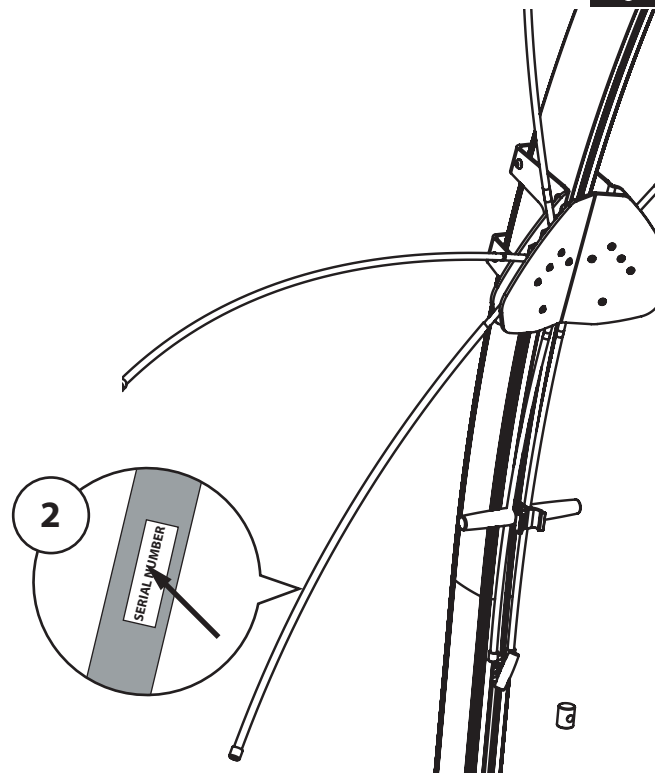
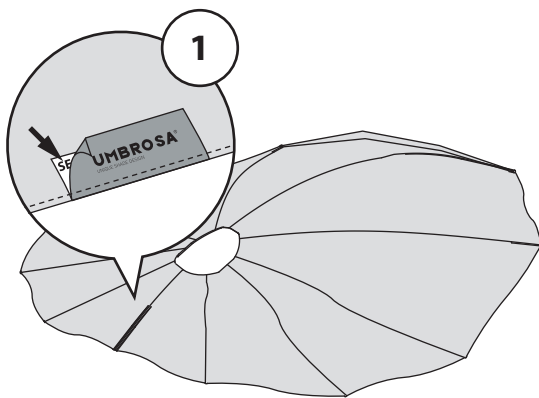
- ENG** In order to **prevent stainless steel from rusting**, it is necessary to treat it frequently and preventatively. Umbrosa recommends cleaning and protecting the surface regularly. Cleaning can easily be done using standard dishwashing detergents. Afterwards, a protection layer can be applied onto the dry surface with a silicon spray. In an aggressive environment (maritime climate, chlorine, acid rain, aggressive industrial or urban environment) we recommend to clean the surface more frequently. Rust can be removed using a cloth and polishing paste. These kinds of products can be bought in do-it-yourself shops, but also in car specialty stores that sell several “stainless steel polishers”.
- NL** **Roestvast staal blijft enkel vrij van corrosie**, wanneer deze goed en preventief wordt behandeld. Umbrosa raadt bijgevolg aan om regelmatig het oppervlak te reinigen en beschermen. Reinigen kan eenvoudig met warm water met afwasmiddel zoals “Dreft”. Nadien brengt u op het droge oppervlakte een bescherm laag aan met bijvoorbeeld Silicone spray. In een agressieve omgeving (maritiem klimaat, chloor, zure regen, agressieve industriële of stedelijke omgeving), dient men de frequentie van dit preventief onderhoud op te drijven. Wanneer lichte roest zichtbaar is, dient deze te worden verwijderd met doek en speciale polierpasta. Dergelijke producten zijn te koop in Doe-het-Zelf zaken, alsook in autospecialzaken waar men verschillende “stainless steel polishers” verkoopt.
- FR** Pour **éviter que L’acier inoxydable corrode**, c’est nécessaire de traiter la surface régulièrement. Umbrosa conseille de nettoyer et protéger régulièrement la surface en utilisant l’eau chaude et un peu de détergent. Après, sur la surface sèche, vous pouvez appliquer une couche de protection avec, par exemple, un spray de Silicone. Surtout dans un environnement agressif (climat maritime, chlore, pluie acide, environnement industriel ou urbaine agressif) nous recommandons de nettoyer fréquemment la surface. Vous pouvez éliminer des éventuelles taches de rouille avec un chiffon et du cirage. Vous pouvez trouver ce type de produits dans des magasins bricolage, mais aussi dans des magasins spécialisés, ou on vend plusieurs “stainless steel polishers”.
- DE** **Edelstahl bleibt nur frei von Korrosion**, wenn dieser gut und Präventiv behandelt wird. Umbrosa empfiehlt regelmäßig die Oberfläche zu reinigen und zu schützen. Reinigung kann problemlos mit warmem Wasser mit Seife. Danach bearbeiten Sie die trockene Oberfläche mit einer Schutzschicht z.B. Silikon spray. In einem aggressiven Umfeld (Seeklima, Chlor, saurer Regen, aggressive Industrie- oder städtischen Umwelt) sollte man diese Behandlung häufig machen. Sichtbaren Rost sollte mit Tuch und spezielle Polierwerkzeuge Paste entfernt werden. Solche Produkte findet man in Baumärkten sowie in Auto Läden wo man verschiedene “Edelstahl Polierer verkauft”.
- ES** **Acero inoxidable sólo permanece libre de corrosión**, cuando esta bien y se trata como una medida preventiva. Umbrosa recomienda de limpiar regularmente la superficie para y proteger. Limpieza puede fácilmente con agua tibia con jabón del plato. Luego, lleva sobre la superficie seca con una capa protectora para por ejemplo spray de silicona. En ambientes agresivos (clima marítimo, cloro, lluvia ácida, agresivo ambiente urbano o industrial), la frecuencia de este mantenimiento preventivo para arriba. Cuando el moho visible, se debe retirar con paño y pasta de pulir especial. Estos productos se venden en ferreterías, así como en tiendas de coches donde uno diferentes vende “pulidores de acero inoxidable”.
- IT** Per **prevenire l’arruginirsi dell’acciaio inox**, è necessario curarlo frequentemente e preventivamente. Umbrosa consiglia di pulire e proteggere frequentemente la superficie. E’ possibile pulire l’acciaio inox con aqua calda e detergente. Dopo aver pulito la superficie, la potete proteggere applicando sulla superficie asciutta uno strato protettivo con, per esempio, lo spray al silicone. In un ambiente aggressivo (clima marittimo, cloro, pioggia acida, ambiente aggressivo industriale o urbano) consigliamo di pulire la superficie più spesso. E’ possibile rimuovere possibili macchie di ruggine con uno straccio e un po’ di lucidante. Questi prodotti sono disponibili in negozi fai da te, ma anche in negozi specializzati (come quelli che vendono i prodotti per pulire le macchine) che vendono vari “stainless steel polishers”.

# WARRANTY

KEEP THIS AVAILABLE

1 PROOF OF PURCHASE / AANKOOPBEWIJS / PREUVE D'ACHAT /  
KAUFBELEG / JUSTIFICANTE DE COMPRA / PROVA D'ACQUISTO

2 SERIAL NUMBER / SERIENUMMER / NUMÉRO DE SÉRIE /  
SERIENNUMMER / NÚMERO DE SERIE / NUMERO DI SERIE

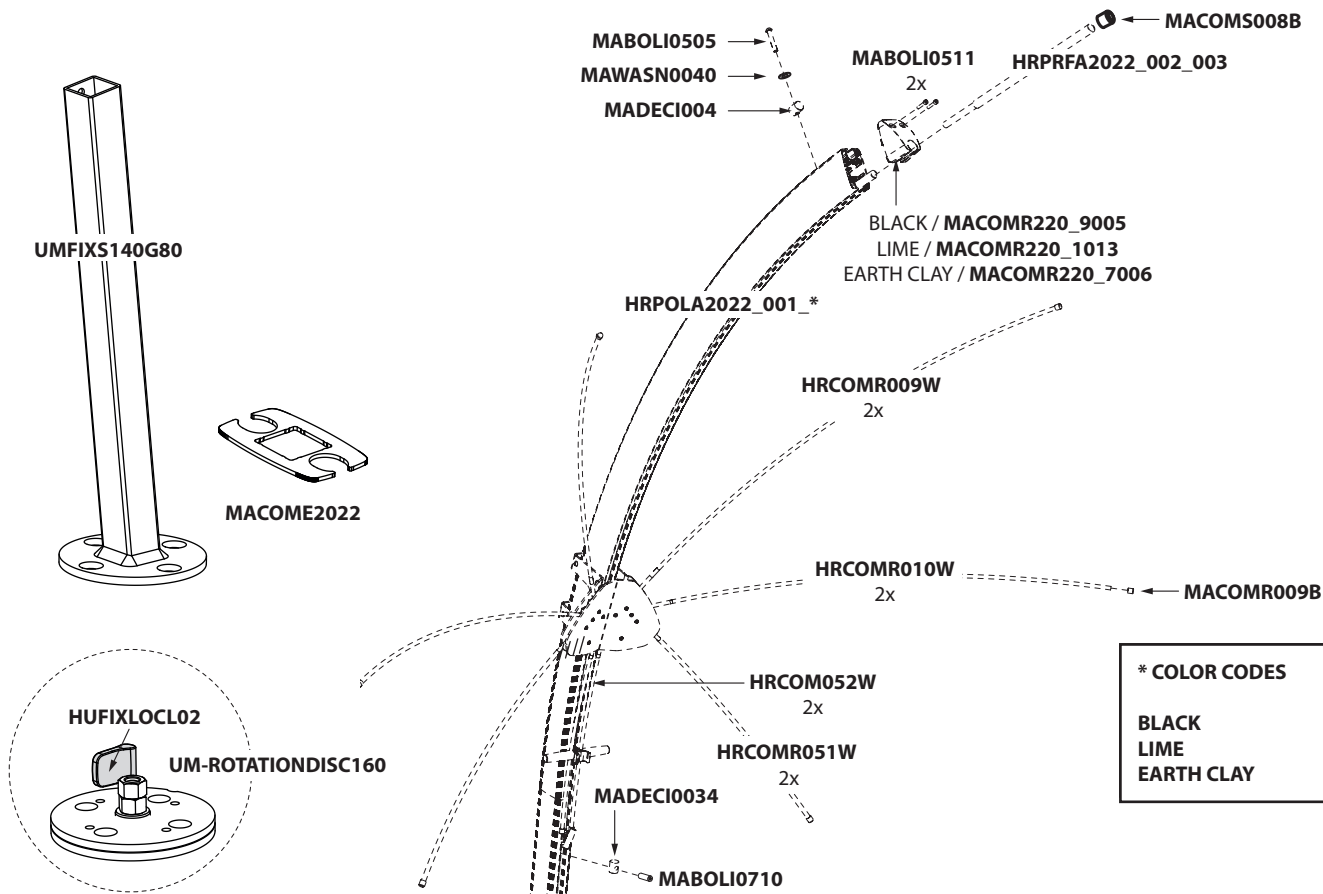


**ENG** [Warranty conditions on website](#)  
**NL** [Garantievoorwaarden op webpagina](#)  
**FR** [Conditions de garantie sur le site Web](#)  
**DE** [Garantiebedingungen auf der Webseite](#)  
**ES** [Condiciones de garantía en el sitio web](#)  
**IT** [Condizioni di garanzia sul sito](#)



# SPARE PARTS

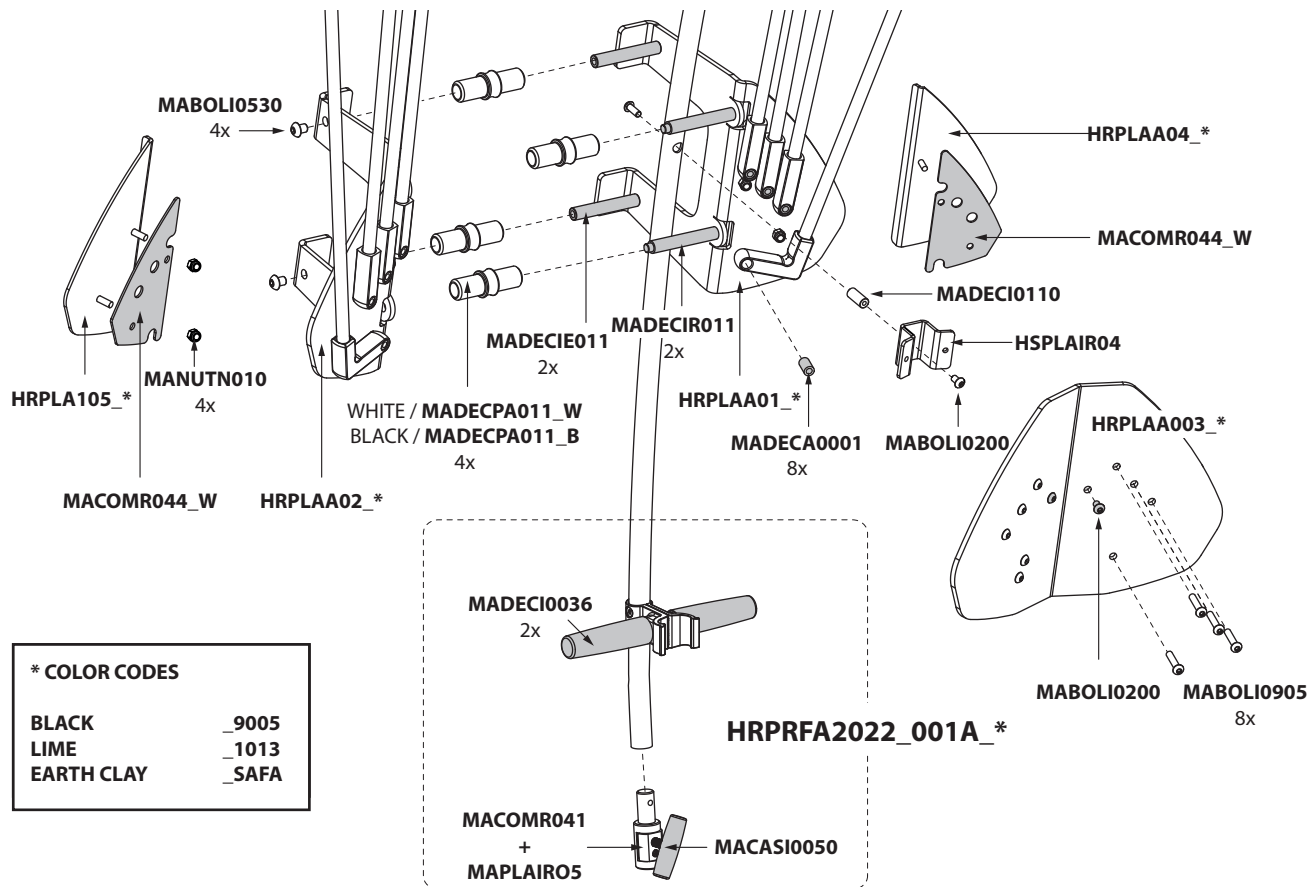
ICARUS



* COLOR CODES	
BLACK	_9005
LIME	_1013
EARTH CLAY	_SAFA

# SPARE PARTS

ICARUS



**\* COLOR CODES**

BLACK	_9005
LIME	_1013
EARTH CLAY	_SAFA

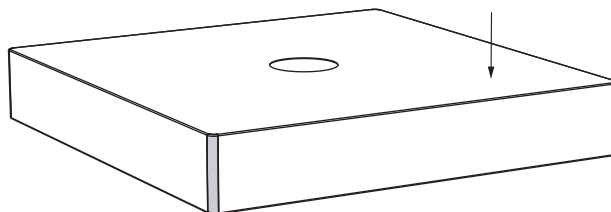
# SPARE PARTS

LARGE TILE BASE



MABOLI0960  
(4x)

ALU-COVERN-L-TBASE  
OR  
BLACK-COVERN-L-TBASE



MACOMU062\*  
(4x)

MASCR00077  
(8x)



MACOMU65  
1x TOOL

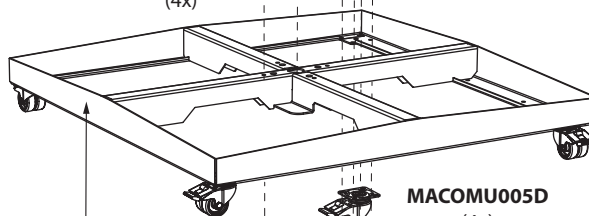


MACOMU064\_B  
16x

UMFRATBCR80\_V1\_HDG  
(2x)

MABOLI0560  
(4x)

UMFIXG0020\_V1  
(4x)



UMFRATB\_V1\_HDG

MACOMU005D  
(4x)

MABOLI0200  
(16x)

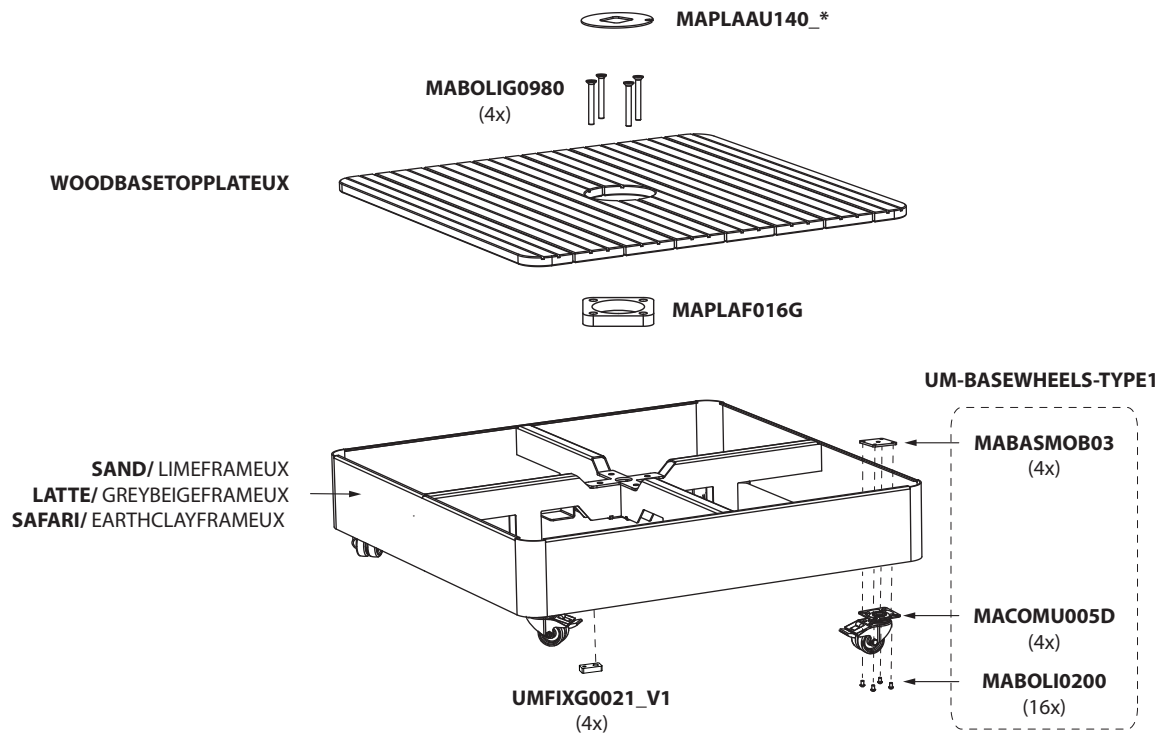
UMFIXG0021\_V1  
(4x)

## \* COLOR CODES

GREY	_R7047
BLACK	_R9005

# SPARE PARTS

LARGE TILE BASE UX WITH WOODEN TOPPLATE



---

# UMBROSA

UNIQUE SHADE DESIGN

## **Umbrosa**

Beversesteenweg 565 B, 8800 Roeselare, Belgium.

T: +32 51 30.22.60 | F: +32 51 30.22.62 | E: [info@umbrosa.com](mailto:info@umbrosa.com) | [www.umbrosa.com](http://www.umbrosa.com)

## **Umbrosa Inc**

530 7th Avenue, Suite 902, New York, NY 10018

T: (855) 285-6595 | E: [info@umbrosa.com](mailto:info@umbrosa.com) | [www.umbrosa.com](http://www.umbrosa.com)

The content of this document, in particular the mentioned models, is protected by copyrights and/or design rights. The present document and its content is communicated to you for information purposes only. Any partial or total reproduction or any other use without our prior written permission is strictly prohibited. This technical sheet remains subject to possible changes. Of course we do our best to eliminate all mistakes, but Umbrosa is not responsible for the errors in the documentation of products. All measurements are approximate and are provided for informational purposes only.

**VERSION 20240503**